



# Pantograph 2.2m Drop

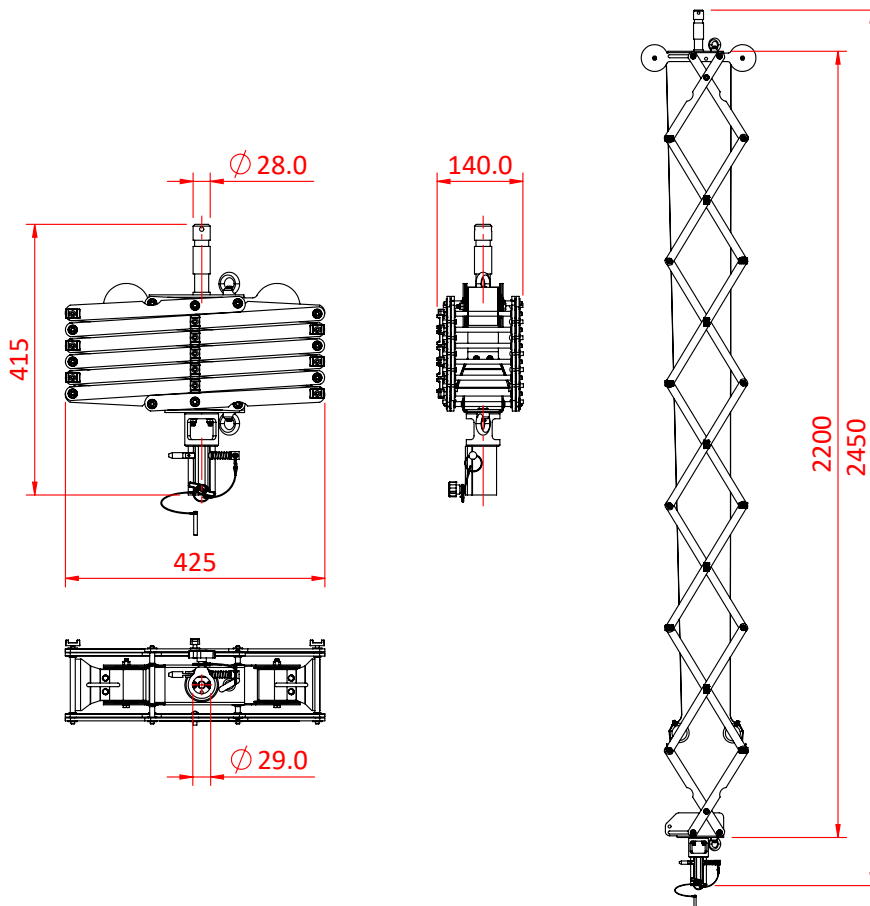
## Product Data Sheet



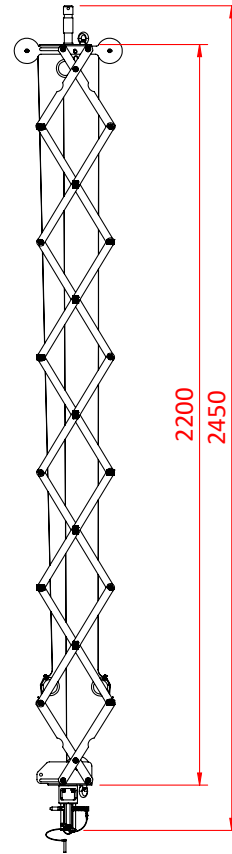
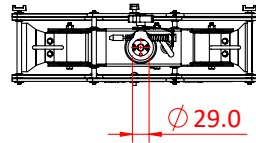
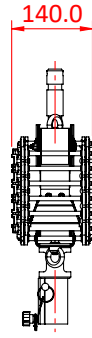
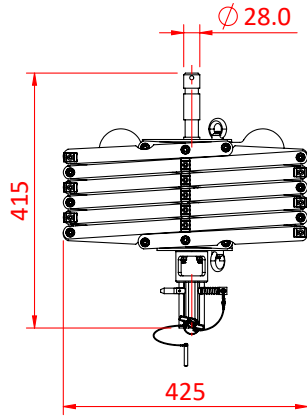
A 2.20m Doughty Sprung Pantograph	
<b>Part Nos</b>	G1660 - 2 Springs - 8.06Kg G1670 - 3 Springs - 9.20Kg G1680 - 4 Springs - 10.24Kg
<b>Top Mounting</b>	Ø28mm spigot
<b>Bottom Fixing</b>	Ø29mm receiver
<b>WLL</b>	G1660 - 12Kg G1670 - 20Kg G1680 - 27Kg

### G1660

Dimensions in mm



**G1670**



**G1680**

