



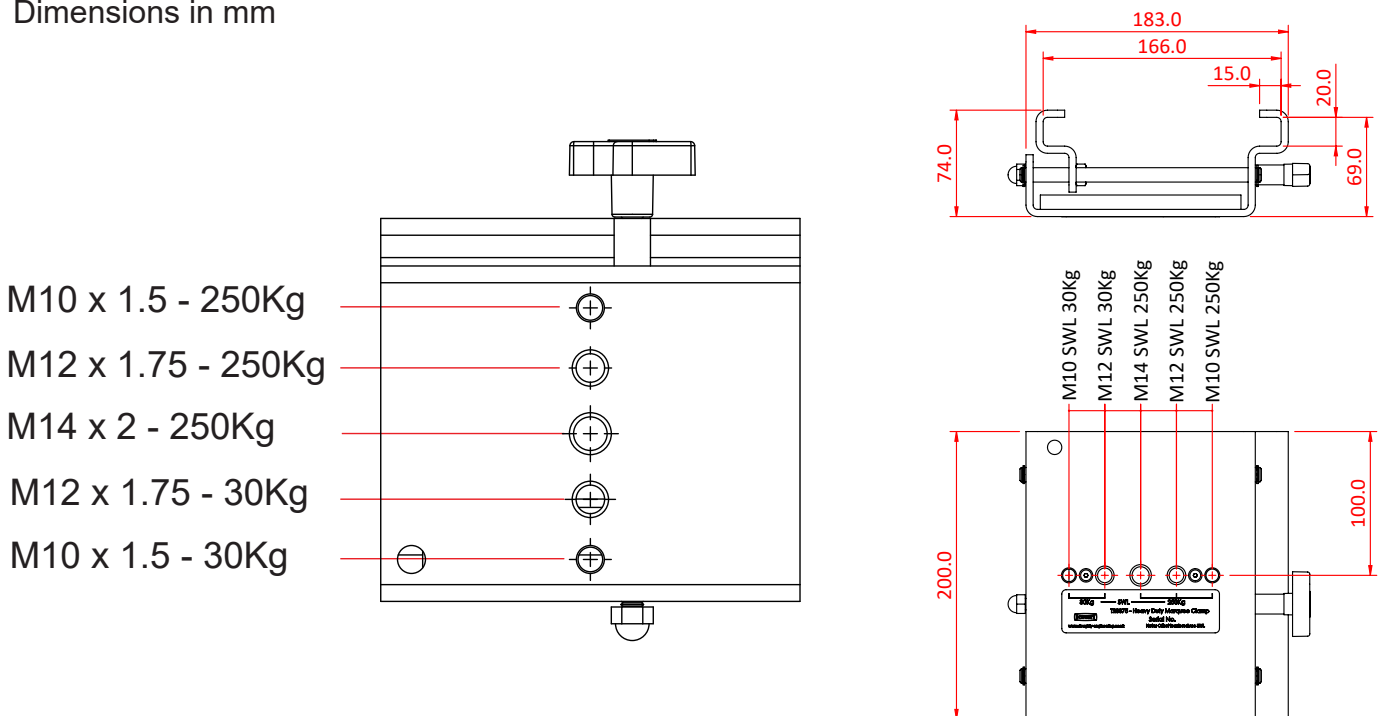
Heavy Duty Marquee Clamp

Product Data Sheet



A Heavy Duty Marquee clamp.	
Part Nos	T28875
Fits Beams	50 - 150mm
Material	CR4 Mild Steel
Finish	Powder Painted Black
Max Tightening Torque	Handtight
Weight	3.60Kg
WLL	See Illustration
Factor of Safety	5:1

Dimensions in mm



Doughty Engineering Ltd - Crow Arch Lane, Ringwood, Hampshire, BH24 1NZ, UK
 +44 (0) 1425 478961, sales@doughty-engineering.co.uk - www.doughty-engineering.co.uk