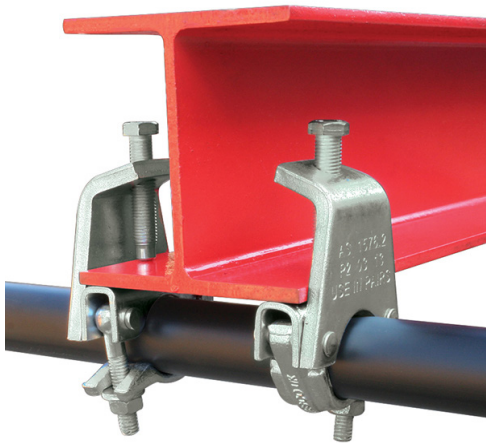


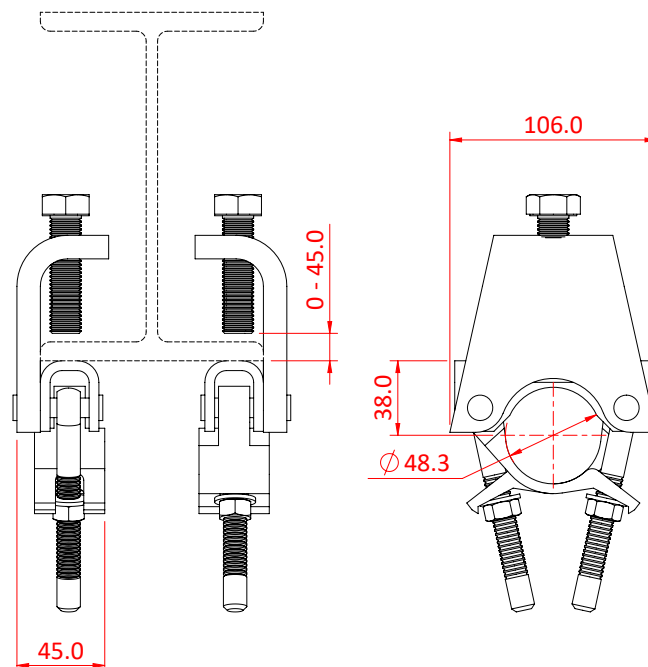


Gravlock Couplers

Product Data Sheet



A pair of steel gravlock couplers	
Part Nos	T29497
Fits Flanges	up to 45mm
Material	S275 Mild Steel
Min Tightening Torque	54Nm
Finish	Zinc Plated
Weight	3.00Kg
WLL	600Kg
MUST BE USED IN PAIRS	



Dimensions in mm

NOTE: MUST BE USED IN PAIRS

DIMENSIONS ARE A GUIDE ONLY AND MAY VARY