



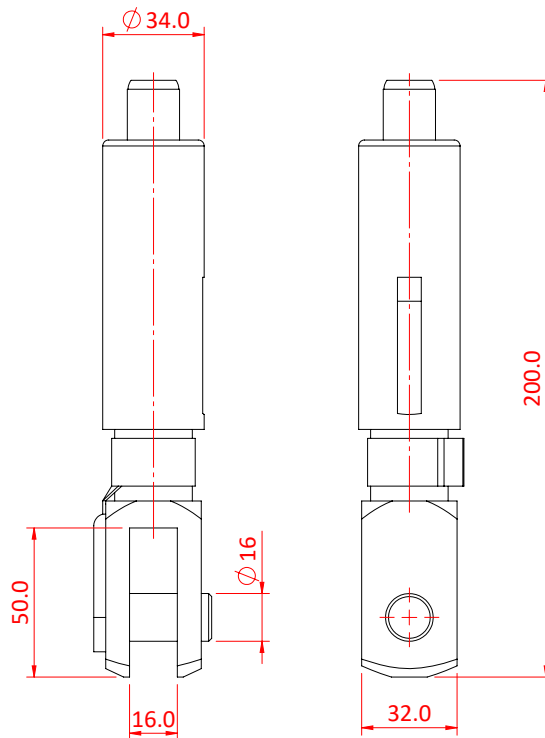
# 66SV III ZW with Fork - Side Exit Wire

Product Data Sheet

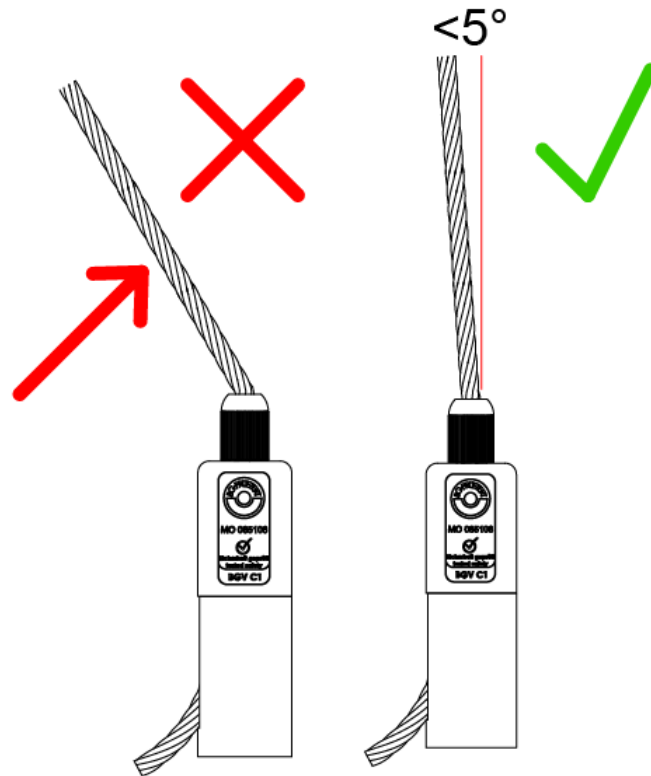


A Type 66 Cable Holder with side exit wire.	
<b>Part Nos</b>	T37665
<b>Holder Diameter</b>	Ø34mm
<b>Fork Width</b>	16mm - Inner 32mm - Outer
<b>Fork Length</b>	50mm
<b>Pin Diameter</b>	Ø16mm
<b>WLL</b>	6mm Wire - 135Kg 6.35mm Wire - 150Kg
<b>Weight</b>	0.49Kg

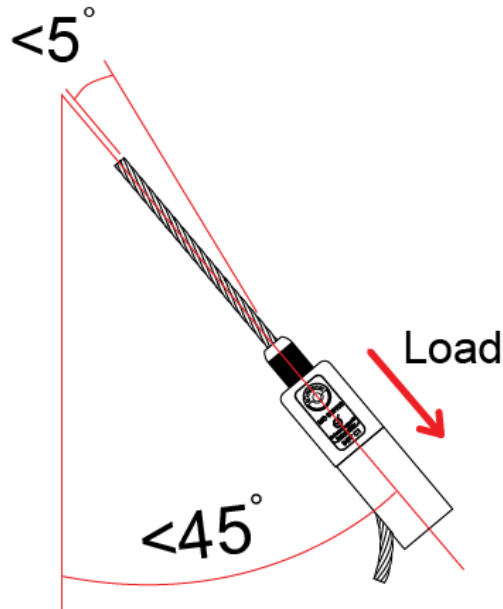
Dimensions in mm



DIMENSIONS ARE A GUIDE ONLY AND MAY VARY



The wire rope must exit in line with the Cable Holder.  
The maximum angle allowed is 5 degrees.



Reutlinger Cable Holders can be used  
up to an angle of 45 degrees.

The wire rope must not exceed 5 degrees  
when exiting the cable holder.