



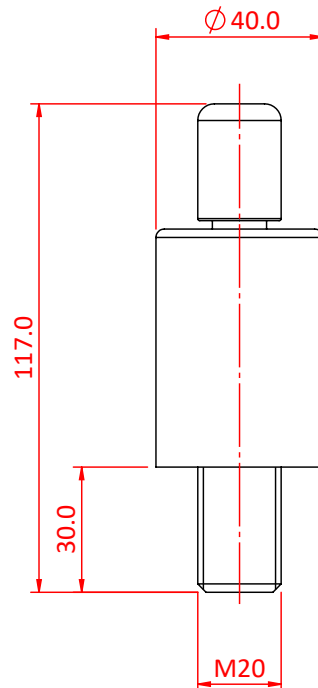
80SV II M20 Male

Product Data Sheet



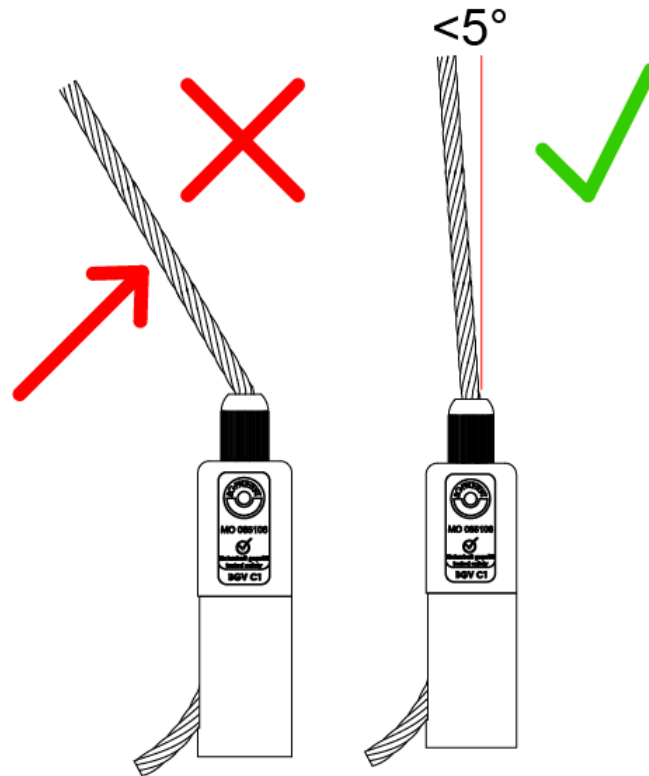
A Type 80 Cable Holder with an M20 Male Thread	
Part Nos	T37680
Holder Diameter	Ø40mm
Thread	M20
Thread Length	30mm
Wire Diameter	Ø6mm & Ø8mm
WLL	6mm Wire - 135Kg 8mm Wire - 240Kg
Weight	0.54Kg

Dimensions in mm

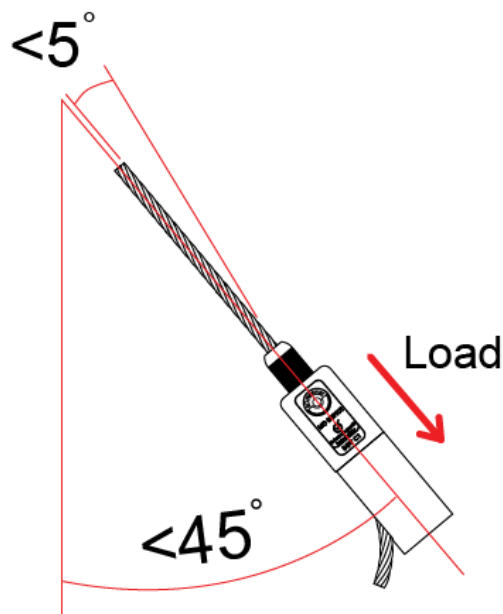


DIMENSIONS ARE A GUIDE ONLY AND MAY VARY

Doughty Engineering Ltd - Crow Arch Lane, Ringwood, Hampshire, BH24 1NZ, UK
+44 (0) 1425 478961, sales@doughty-engineering.co.uk - www.doughty-engineering.co.uk



The wire rope must exit in line with the Cable Holder.
The maximum angle allowed is 5 degrees.



Reutlinger Cable Holders can be used
up to an angle of 45 degrees.

The wire rope must not exceed 5 degrees
when exiting the cable holder.