

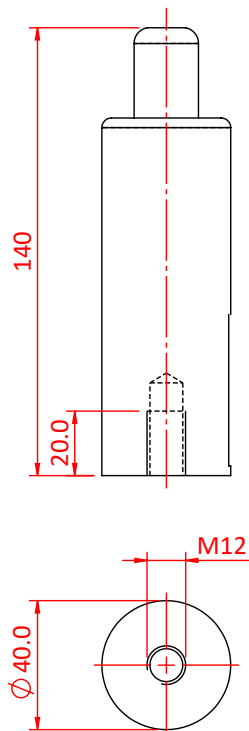


Product Data Sheet

80SV II ZW M12 Female

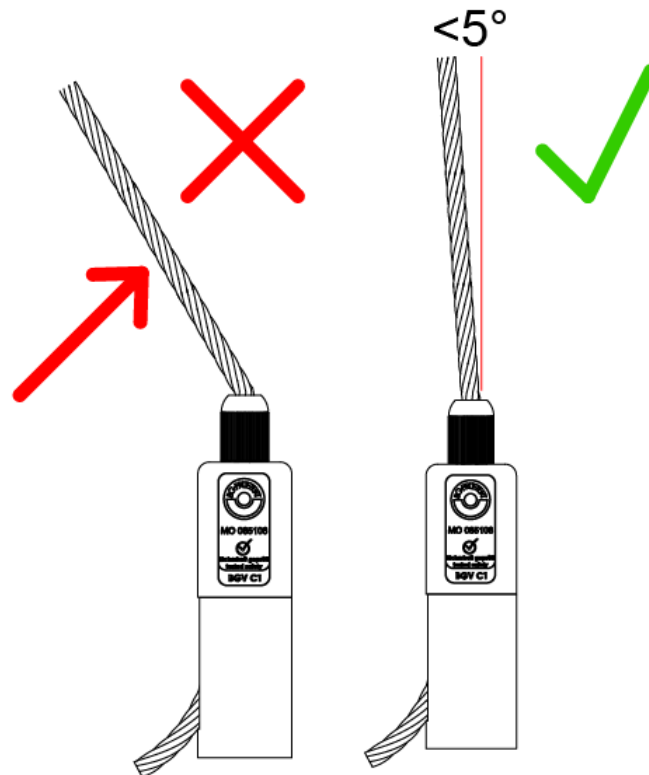


A Type 80 Cable Holder with an M12 Female Thread	
Part Nos	T37683
Holder Diameter	Ø40mm
Thread	M12
Thread Depth	20mm
Wire Diameter	Ø6mm & Ø8mm
WLL	6mm Wire - 135Kg 8mm Wire - 240Kg
Weight	0.94Kg

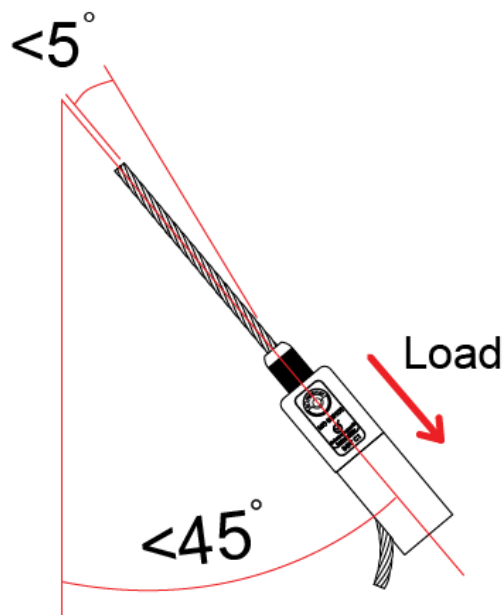


Dimensions in mm

DIMENSIONS ARE A GUIDE ONLY AND MAY VARY



The wire rope must exit in line with the Cable Holder.
The maximum angle allowed is 5 degrees.



Reutlinger Cable Holders can be used
up to an angle of 45 degrees.

The wire rope must not exceed 5 degrees
when exiting the cable holder.