

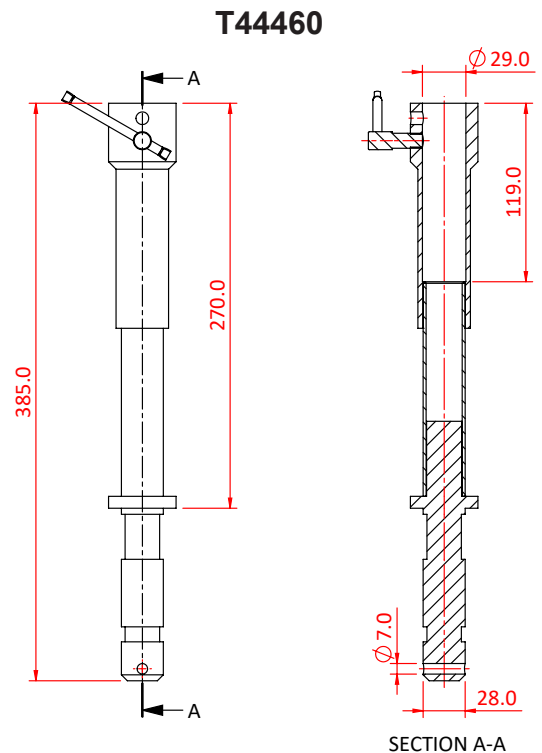
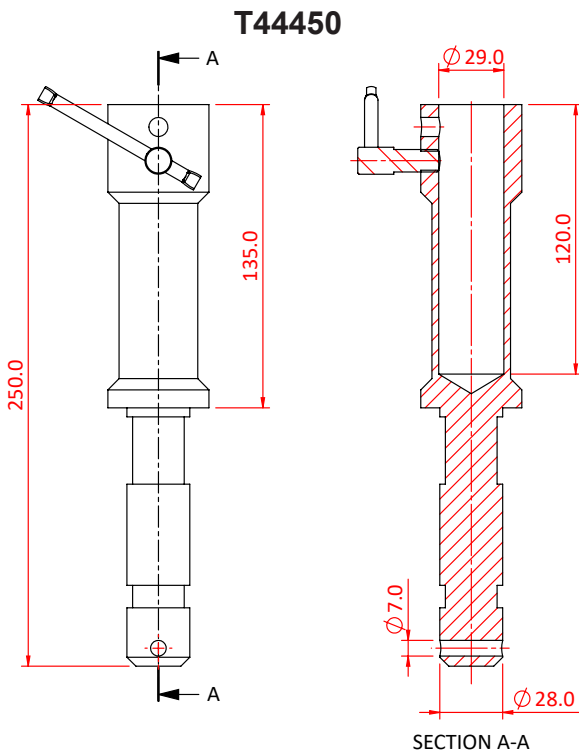


Low Lifts

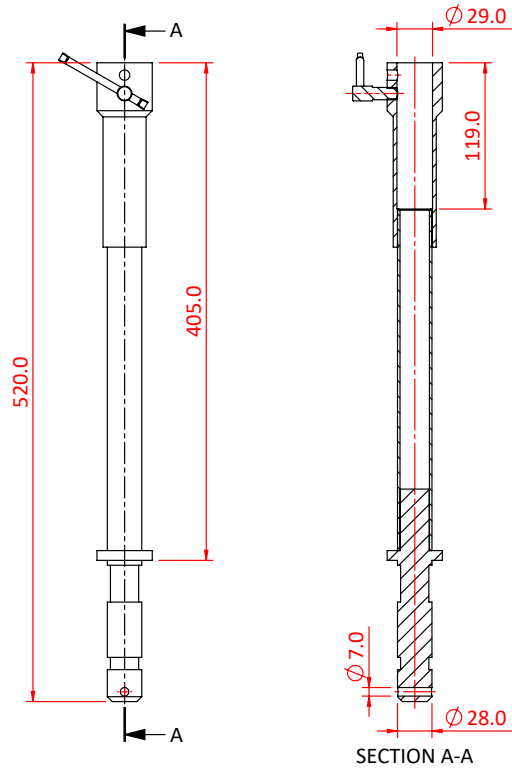
Product Data Sheet



A range of stainless steel extenders designed for use with $\text{\O}28\text{mm}$ spigots	
Part Nos	T44450 - 135mm - 0.98Kg T44460 - 270mm - 1.36Kg T44470 - 405mm - 1.49Kg T44475 - 675mm - 1.74Kg
Receiver diameter	$\text{\O}29\text{mm}$
Spigot diameter	$\text{\O}28\text{mm}$
Materials	Stainless Steel
Finish	Natural



T44470



T44475

