



Product Data Sheet

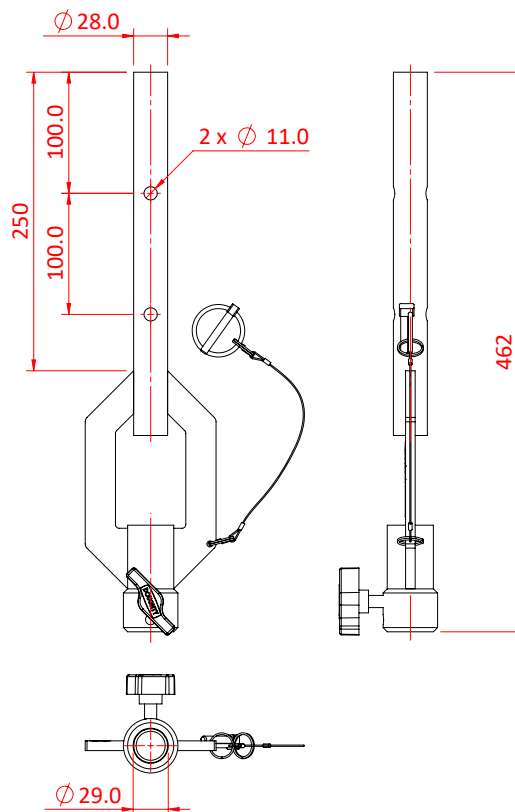
# Single-Ended Adjustable Drop Arms



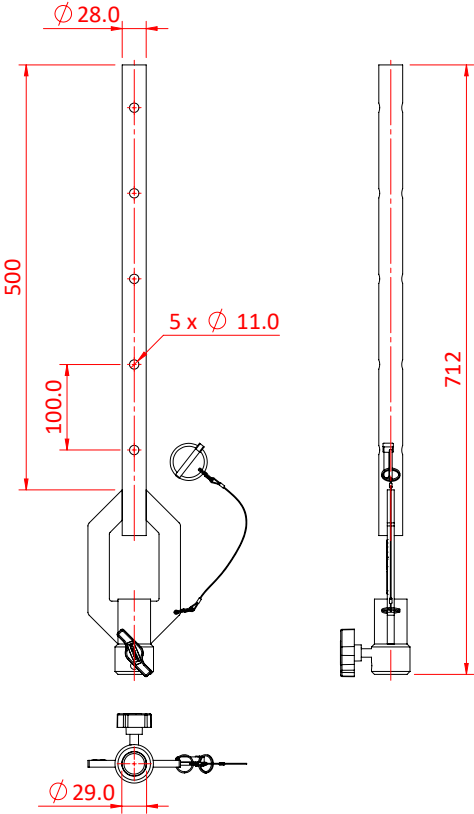
An adjustable drop arm using pre-drilled holes in a 28mm diameter tube and a securing pin.	
<b>Part Nos</b>	T45610 - 250mm - 1.66Kg T45612 - 500mm - 1.85Kg T45614 - 750mm - 2.04Kg T45616 - 1000mm - 2.23Kg
<b>Materials</b>	Stainless Steel Grade 8.8 Fasteners
<b>Receiver</b>	29mm
<b>Spigots</b>	Fits Barrel Socket Clamp (G1115)

Dimensions in mm

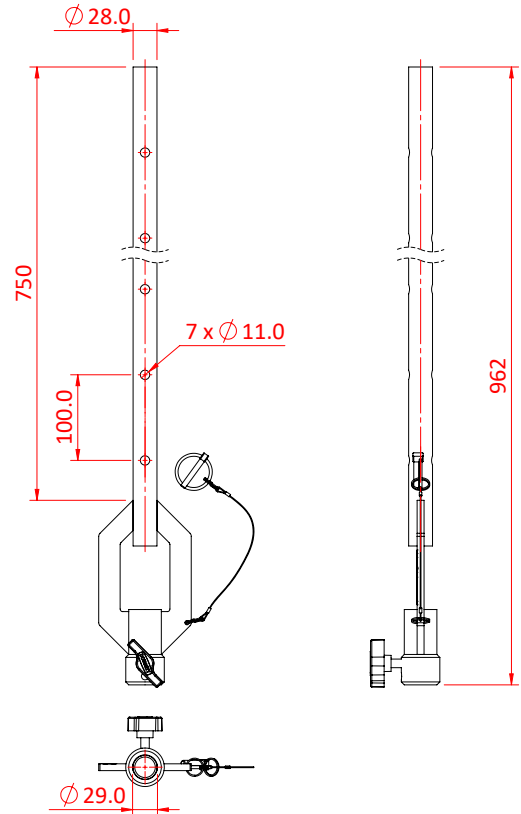
## T45610



T45612



T45614



T45616

