



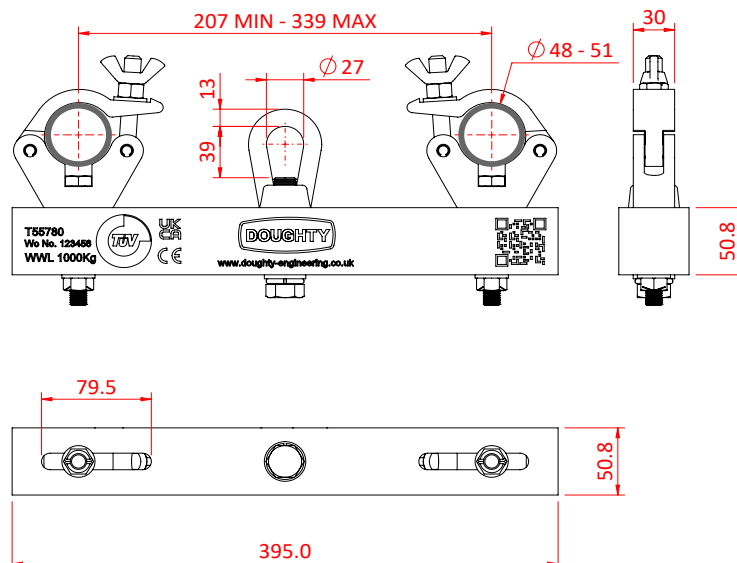
1000Kg Solid Hanging Truss Adaptors



Product Data Sheet



A Solid Hanging Truss Adaptor	
Part Nos	T55780 - Silver T55785 - Black
Tube Diameter	Ø48-51mm
Tube Centres	207 to 339mm
Material	AW6082 T6 Aluminium
Finish	Powder Painted / Polished
Max Torque	30Nm
WLL	1000Kg
Safety Factor	5:1
Weight	4.0Kg
Approval	TÜV approved



Dimensions in mm