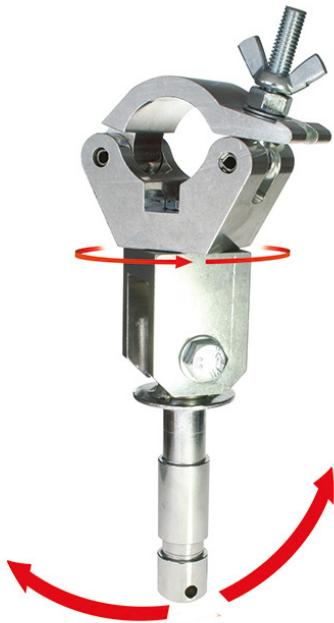




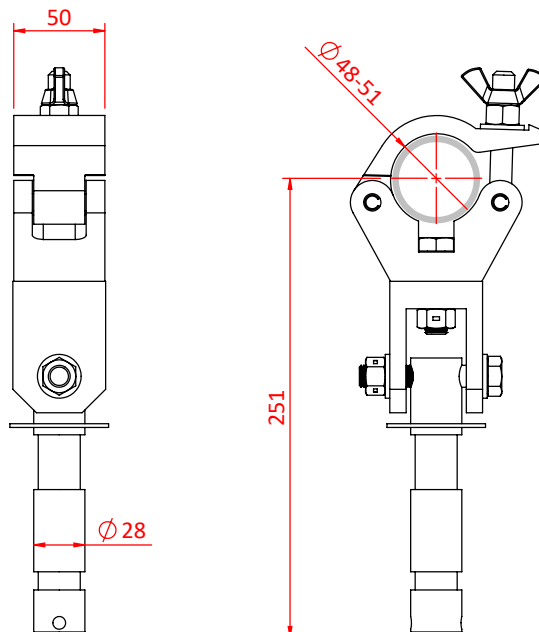
Product Data Sheet

# Articulated Big Ben Clamp



A half coupler fitted with an articulating 28mm (1.10") Spigot.

<b>Part Nos</b>	T57227 - Polished
<b>Tube Diameter</b>	Ø48 - 51mm (1.89" - 2.01")
<b>Materials</b>	Main Body - AW6082 T6 Aluminium Roll Pins - Stainless Steel Eyebolt Assy - Grade 8.8 Spigot - Stainless Steel
<b>Max Tightening</b>	30Nm
<b>Fixings</b>	Ø28mm (1.10") Stainless Spigot
<b>WLL</b>	200Kg
<b>Weight</b>	1.77Kg (3.90 lbs)
<b>Factor of Safety</b>	5:1
<b>Approval</b>	TÜV Approved



Dimensions in mm