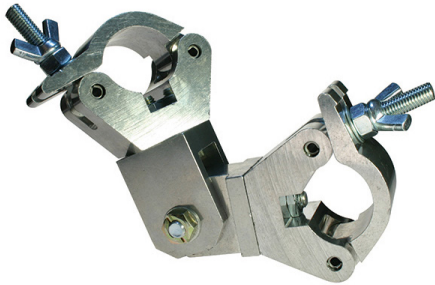




Pivot Hinges

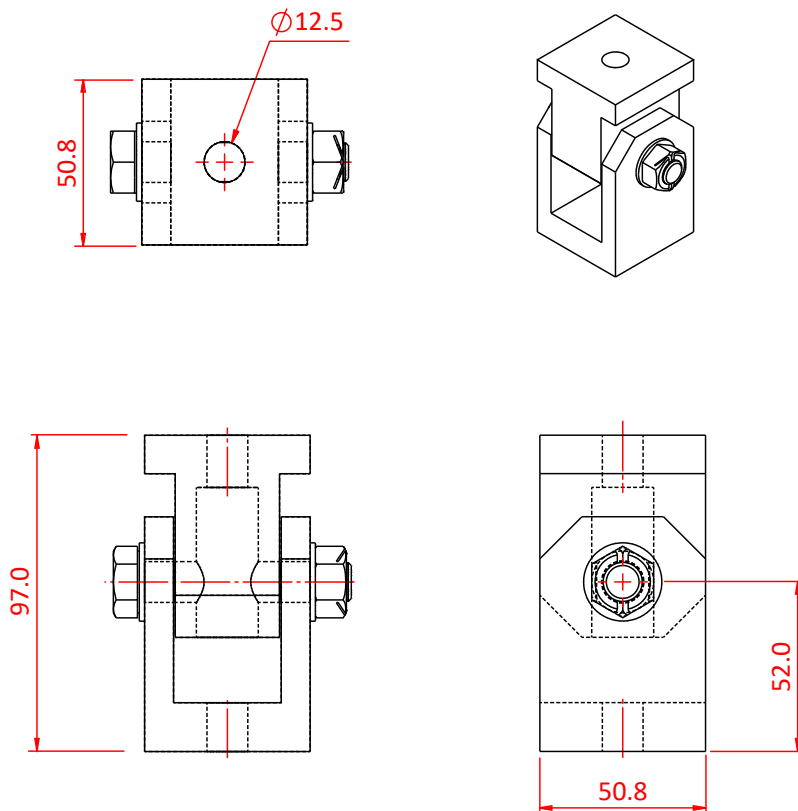
Product Data Sheet



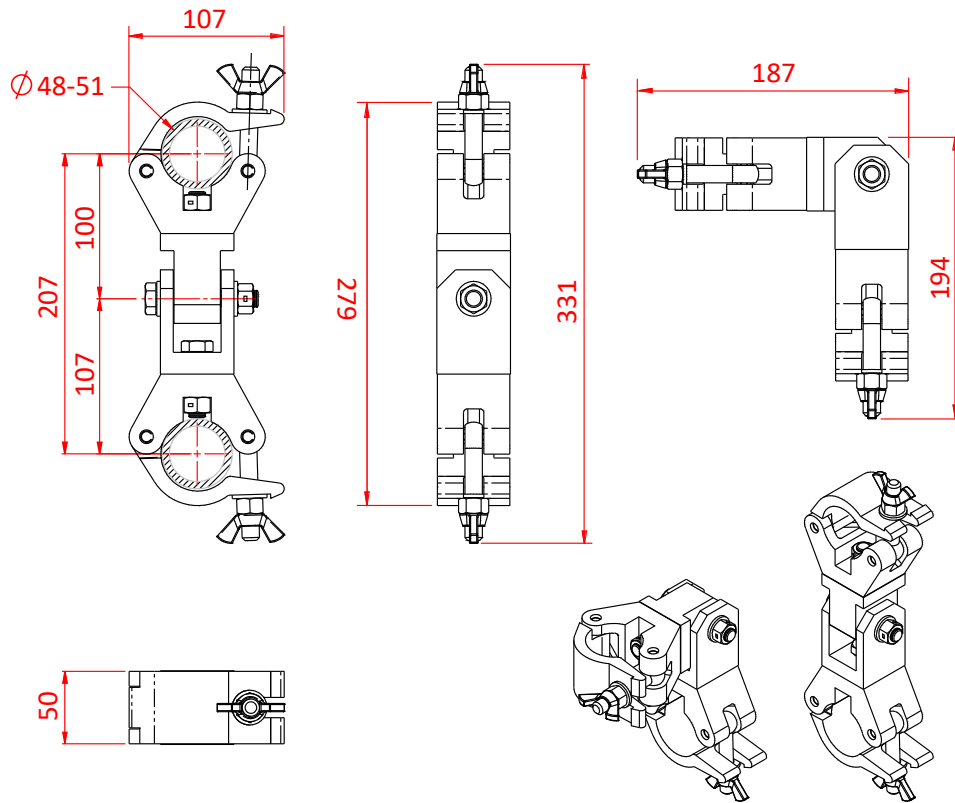
A Pivot Hinge Assembly	
Part Nos	T57249 - Pivot Hinge Assembly T57250 - Pivot Hinge Assembly with 2 x T57000 clamps
Materials	Main Body - AW6082 T6 Aluminium Fixings - Grade 8.8
WLL	T57249 - Not rated T57250 - 750Kg
Safety Factor	5:1
Weight	T57249 - 0.57Kg T57250 - 1.91Kg

T57249

Dimensions in mm

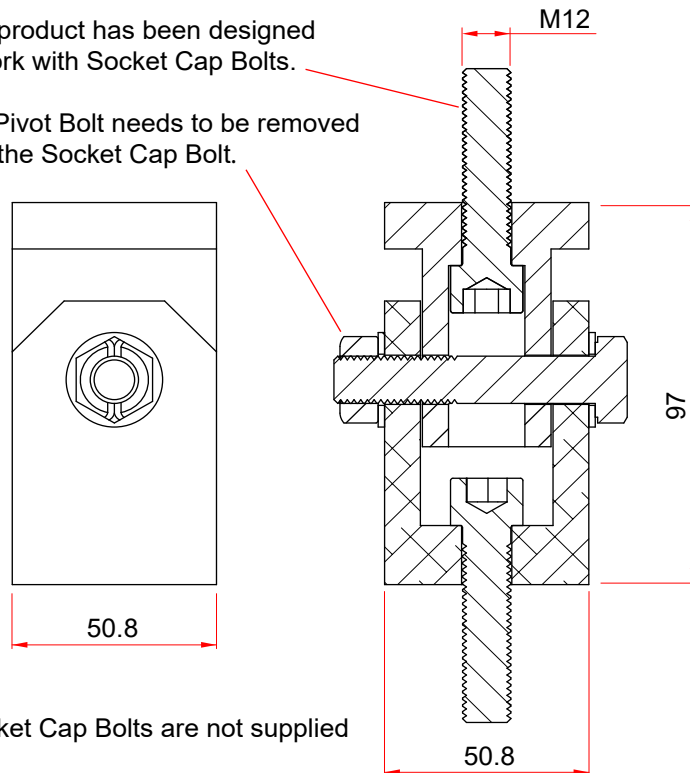


T57250



This product has been designed to work with Socket Cap Bolts.

The Pivot Bolt needs to be removed to fit the Socket Cap Bolt.



Socket Cap Bolts are not supplied