



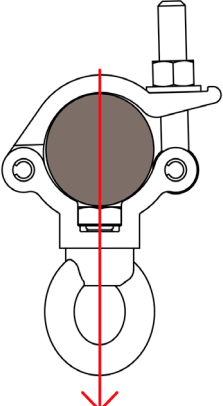
Product Data Sheet

# Mammoth Hanging Clamp



A high tensile extruded half coupler fitted with an M12 eye nut.	
<b>Part Nos</b>	T57450 - Polished T57451 - Powder Painted Satin Black
<b>Tube Diameter</b>	Ø60 - 63mm
<b>Materials</b>	Main Body - AW6082 T6 Aluminium Roll Pins - Stainless Steel Eyebolt Assy - Grade 8.8
<b>Max Tightening Torque</b>	30Nm
<b>Fixings</b>	Fitted with an M12 Eye Nut
<b>WLL</b>	340Kg Vertical Load
<b>Weight</b>	0.51Kg
<b>Factor of Safety</b>	5:1
<b>Approval</b>	TÜV Approved

WARNING



LOAD DIRECTION MUST BE IN LINE WITH THE BOLT SECURING THE EYE NUT IN PLACE FOR ANY OTHER LOAD DIRECTIONS SEE OUR T42307 PINK EYE NUT

Dimensions in mm

