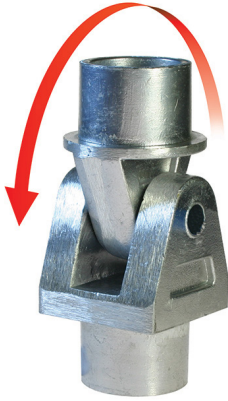




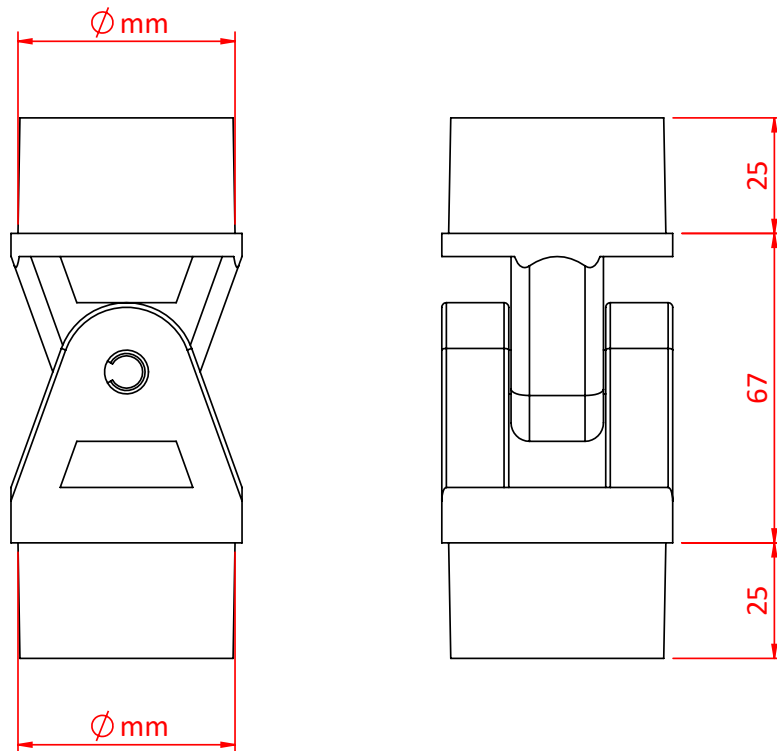
Round Shank Knuckle Joints

Product Data Sheet



A range of aluminium Round Shank Knuckle Joints	
Part Nos	T58730 - Ø47mm T58731 - Ø44mm T58733 - Ø41.5mm T58734 - Ø39.5mm
Materials	Cast Aluminium Roll Pins - Stainless Steel
WLL	Not Rated
Weight	0.33Kg

Dimensions in mm



Ø mm

T58730 - 47mm

T58731 - 44mm

T58733 - 41.5mm

T58734 - 39.5mm