



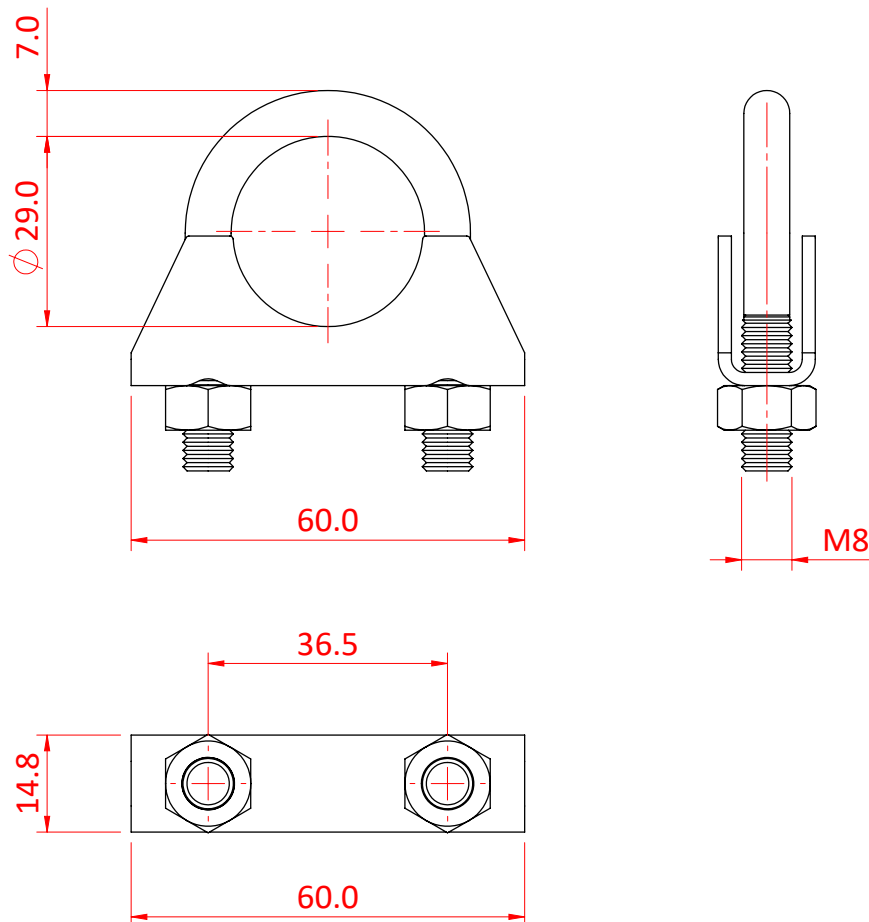
Product Data Sheet

Top Rail Track U Bolt



Six Track 'U' Bolt	
Part Nos	T63749
Tube Dia	Ø25mm
Material	Mild Steel
Finish	BZP

Dimensions in mm



DIMENSIONS ARE A GUIDE ONLY AND MAY VARY

Doughty Engineering Ltd - Crow Arch Lane, Ringwood, Hampshire, BH24 1NZ, UK
+44 (0) 1425 478961, sales@doughty-engineering.co.uk - www.doughty-engineering.co.uk