



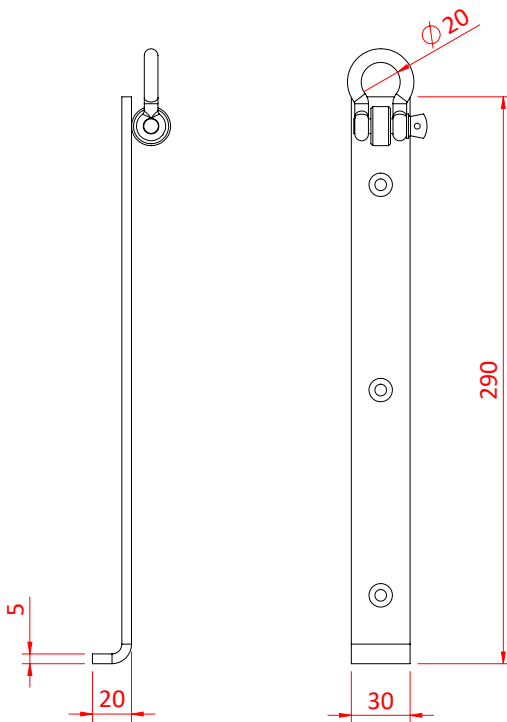
Flying Irons

Product Data Sheet

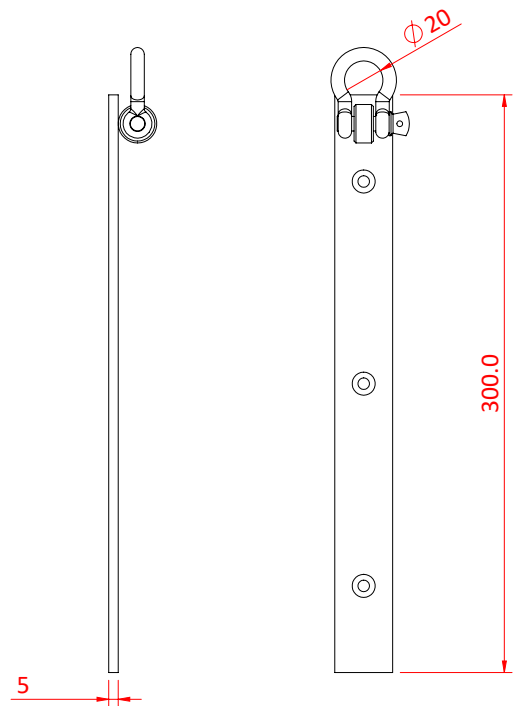


Flying Irons	
Part Nos	T64200 - Lipped T64300 - Flat
Material	S275 Mild Steel
Finish	BZP
WLL	200Kg
Weight	T64200 - 0.44Kg T64300 - 0.42Kg

Dimensions in mm



T64200 - Lipped



T64300 - Flat