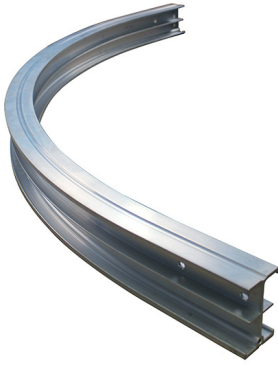




Studio Rail 80 90° Curved

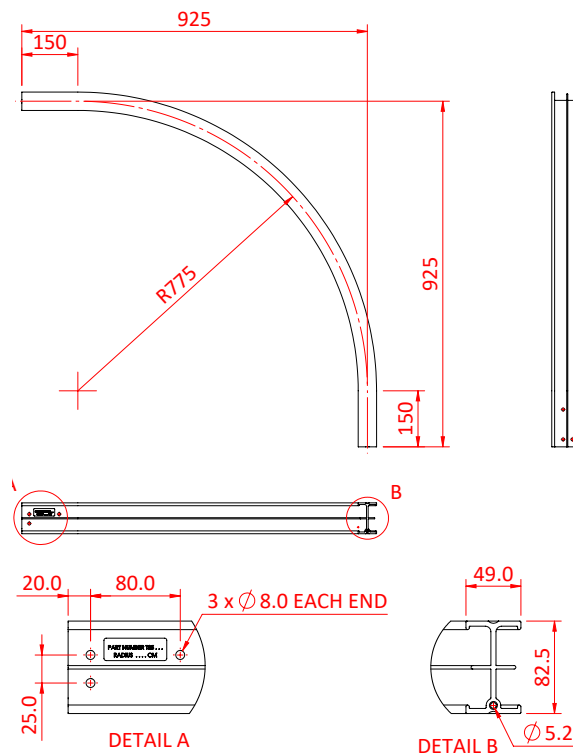
Product Data Sheet



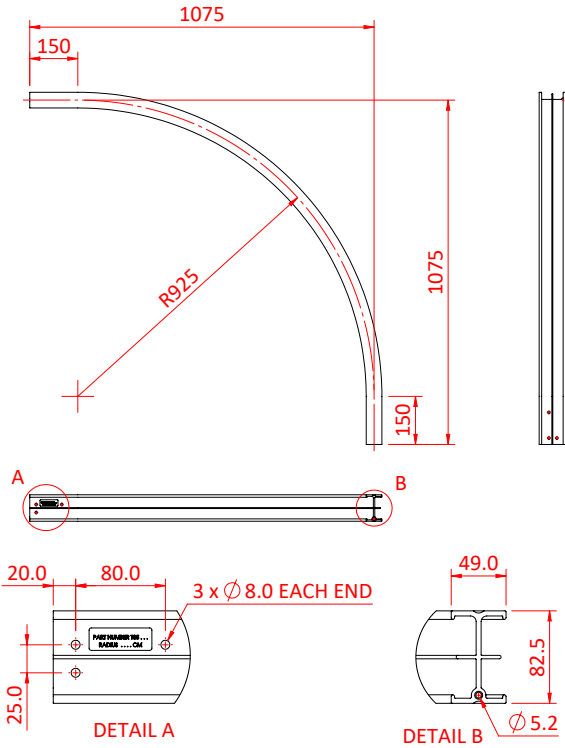
Studio Rail 80 - 90° Curve Sections	
Part Nos	T85017 - Rad 0.75m T85018 - Rad 0.90m T85019 - Rad 1.05m T85020 - Rad 1.20m T85025 - Rad 1.35m T85030 - Rad 1.50m
Material	AW6082 - Aluminium
Finish	Natural
Weight	T85017 - 3.80Kg T85018 - 4.40Kg T85019 - 5.0Kg T85020 - 5.60Kg T85025 - 6.10Kg T85030 - 6.70Kg

Dimensions in mm

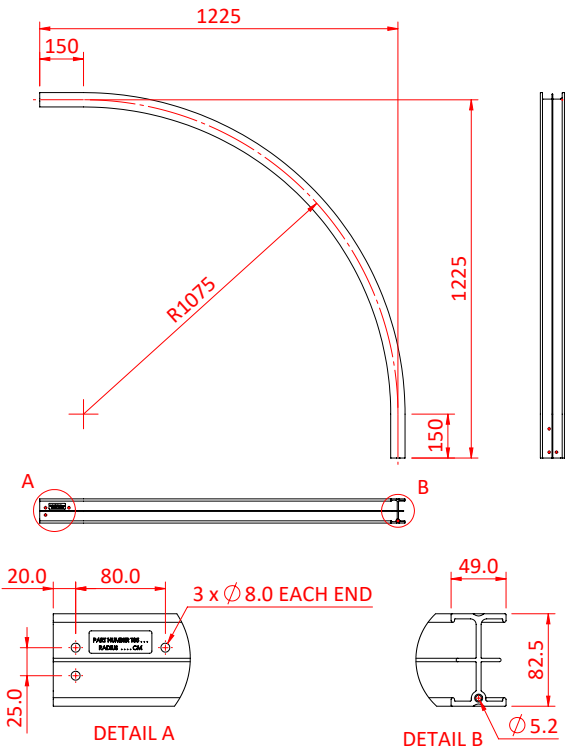
T85017



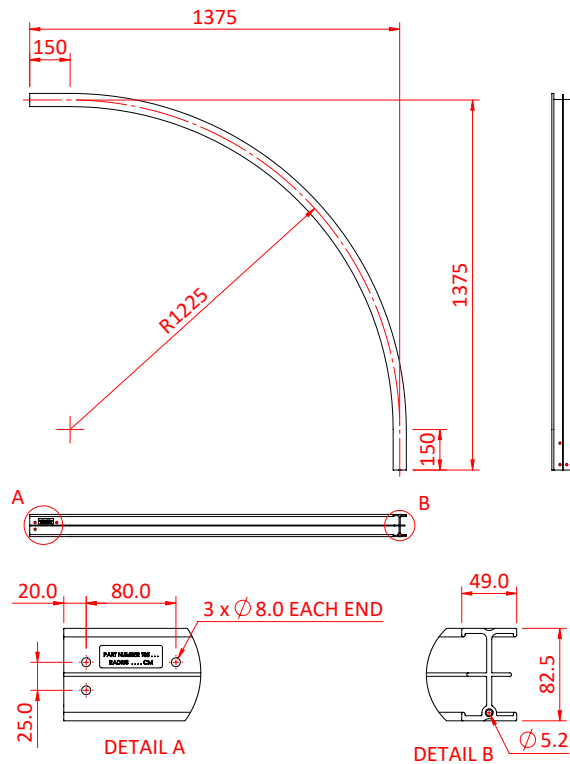
T85018



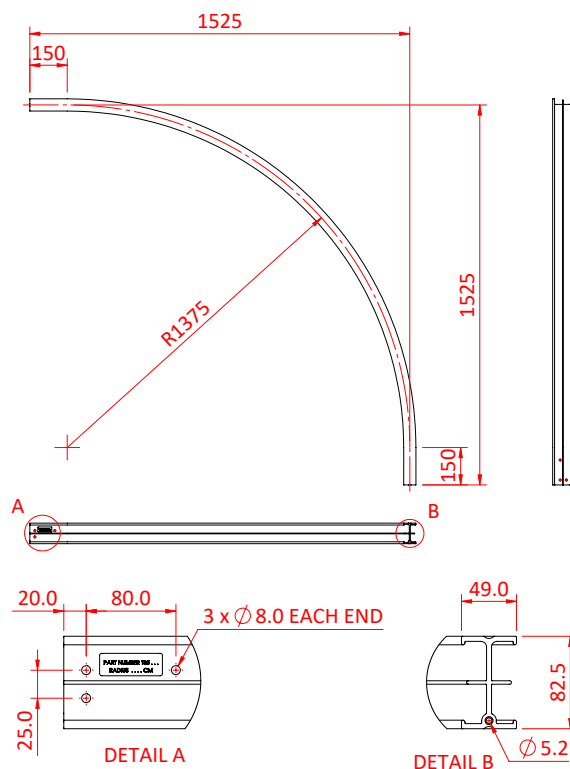
T85019



T85020



T85025



T85030

