



Studio Rail 80 - Adjustable Stud Hangers

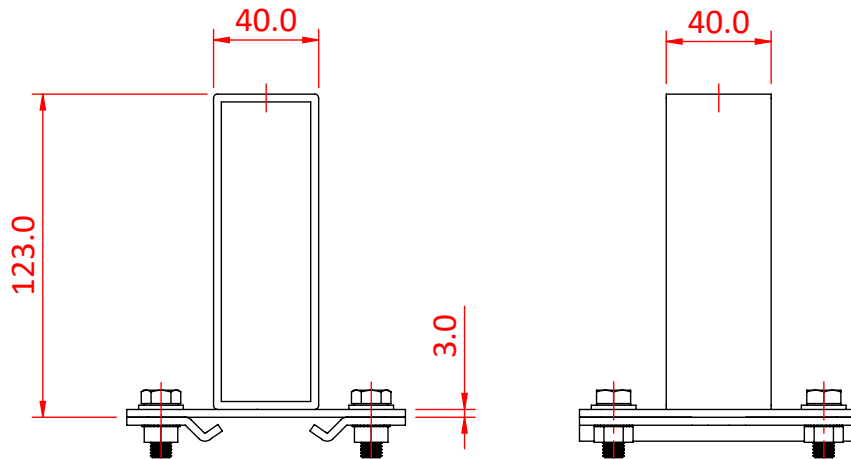
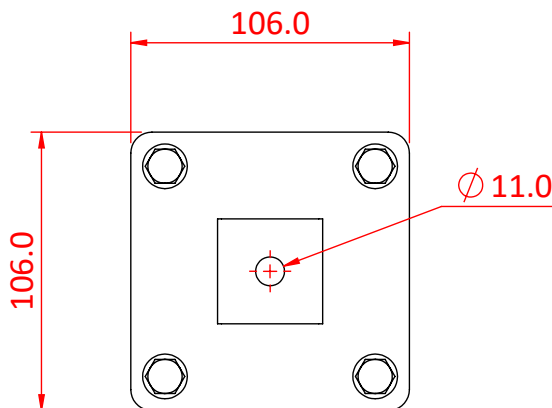
Product Data Sheet



A mild steel stud hanger supplied with rail clamps	
Part Nos	T85170 - M10 T85175 - M12
Materials	Mild Steel
Finish	Powder coated black
WLL	100Kg
Weight	0.76Kg

T85170

Dimensions in mm



T85175

