



Studio Rail 80

90° Curved - Black

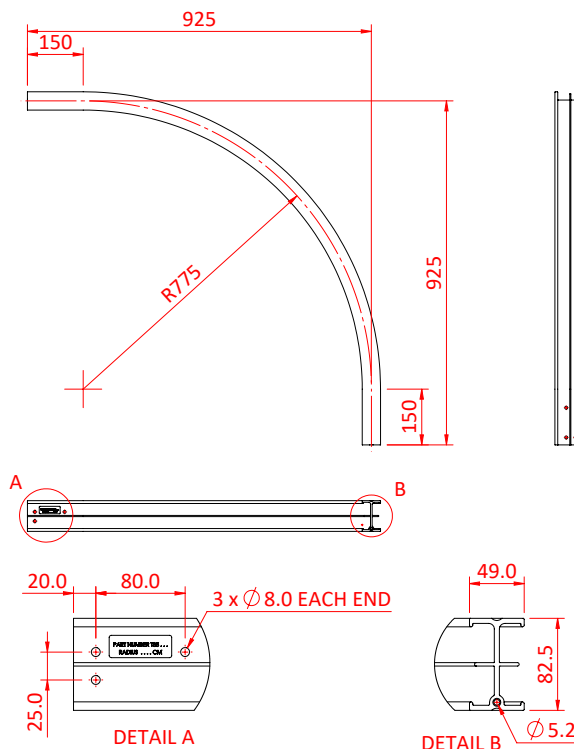
Product Data Sheet



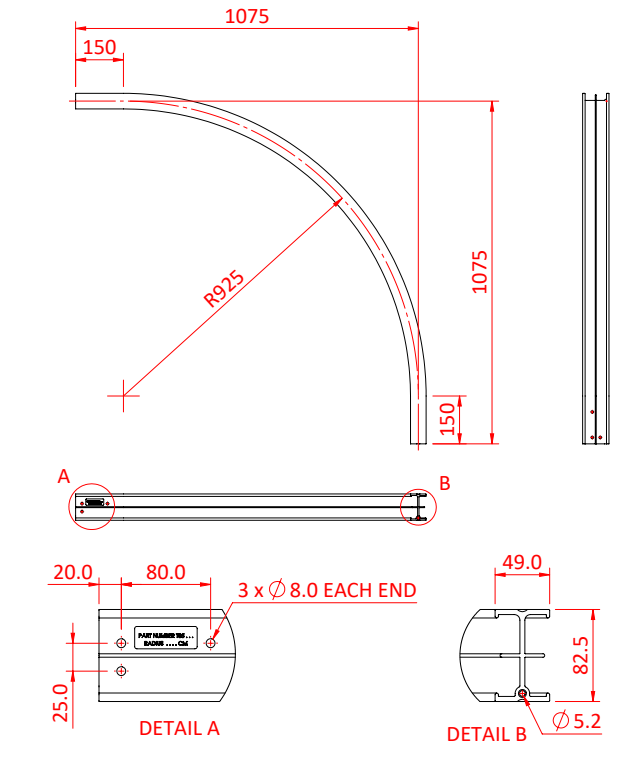
Studio Rail 80 - 90° Curve Sections	
Part Nos	T85052 - Rad 0.75m T85053 - Rad 0.90m T85054 - Rad 1.05m T85055 - Rad 1.20m T85060 - Rad 1.35m T85065 - Rad 1.50m
Material	AW6082 - Aluminium
Finish	Powder coated black
Weight	T85052 - 3.80Kg T85053 - 4.40Kg T85054 - 5.0Kg T85055 - 5.60Kg T85060 - 6.10Kg T85065 - 6.70Kg

Dimensions in mm

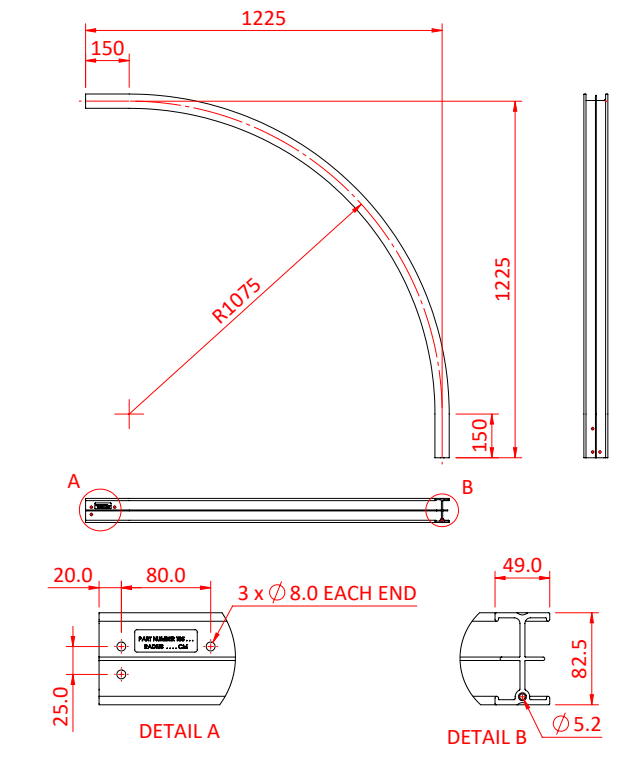
T85052



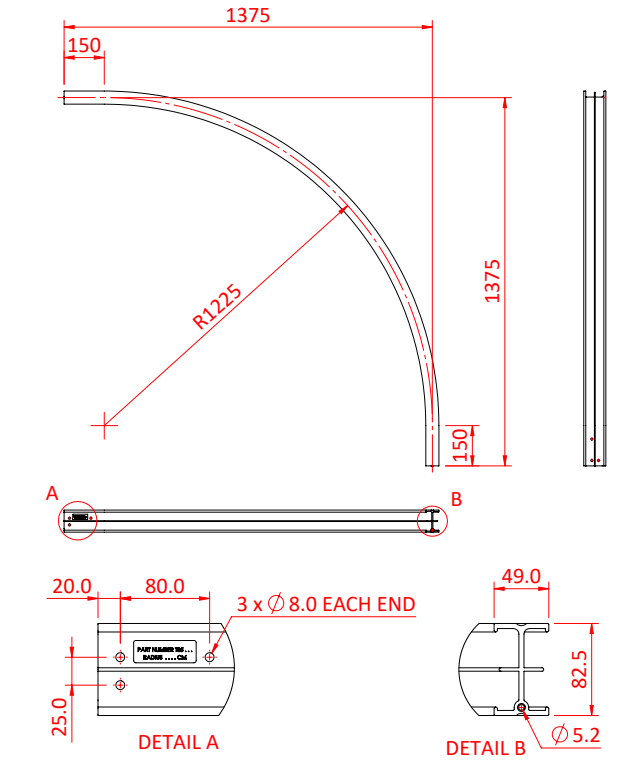
T85053



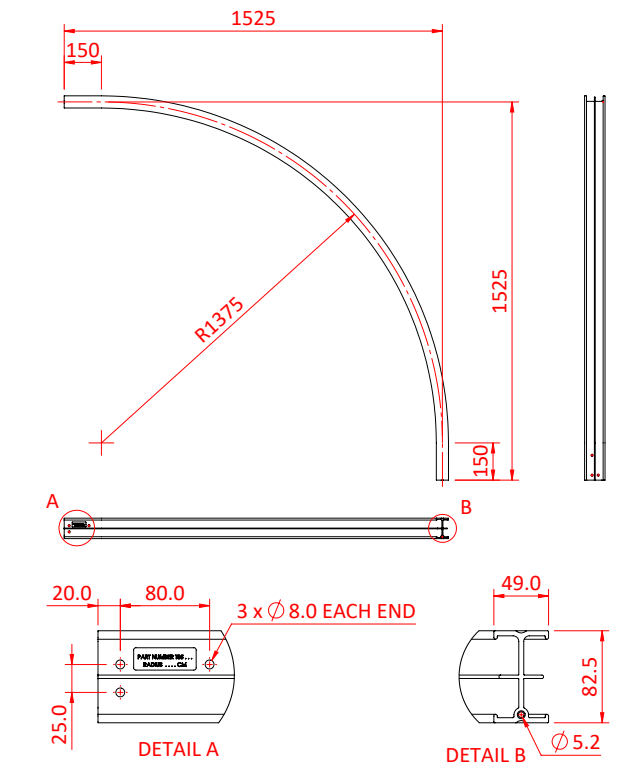
T85054



T85055



T85060



T85065

