



# Projector Cradles

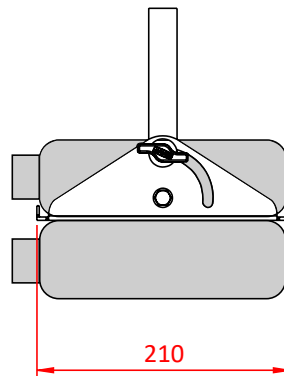
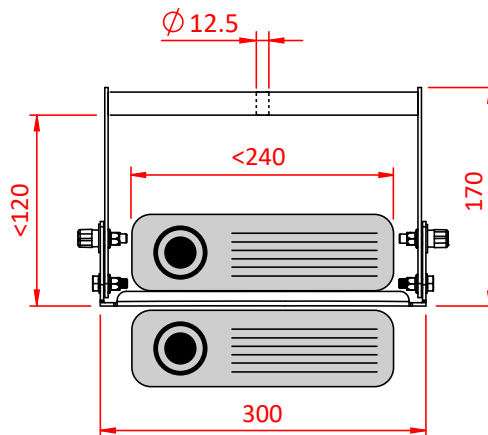
## Product Data Sheet



A steel projector cradle available in two sizes	
<b>Part Nos</b>	T75050 - 300mm length T75055 - 420mm length
<b>Tray Arm Fixing Hole Diameter</b>	Ø12.5mm
<b>Materials</b>	Aluminium - Tray Grade 8.8 - Fixings
<b>Finish</b>	Powder painted black
<b>WLL</b>	10Kg

Dimensions in mm

### T75050



T75050

