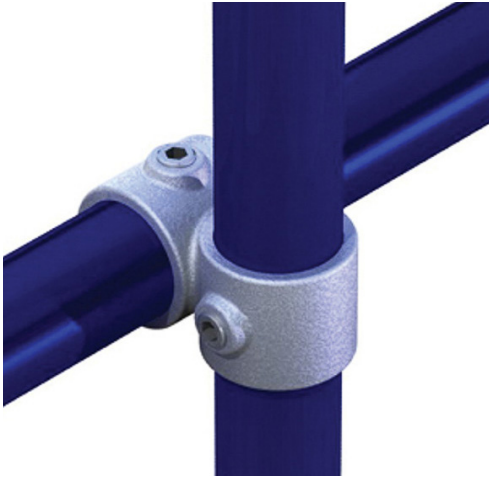


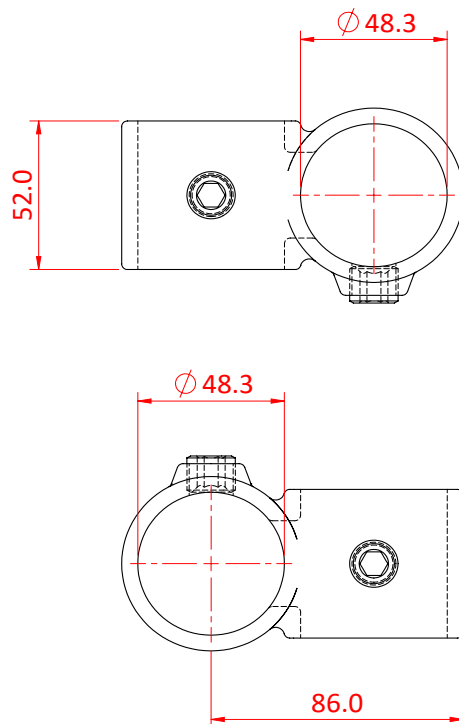


Pipe Clamp 90° Crossover

Product Data Sheet



| | |
|--|---|
| A galvanized steel Pipe Clamp fitting. | |
| Part Nos | T16100 - Galvanised |
| Tube Diameter | Ø48.3mm |
| Materials | Malleable Iron Fixings - Grade 8.8 BZP |
| Max Tightening Torque | 40Nm |
| WLL | N/A |
| Weight | 0.64Kg |



DIMENSIONS ARE A GUIDE ONLY AND MAY VARY