

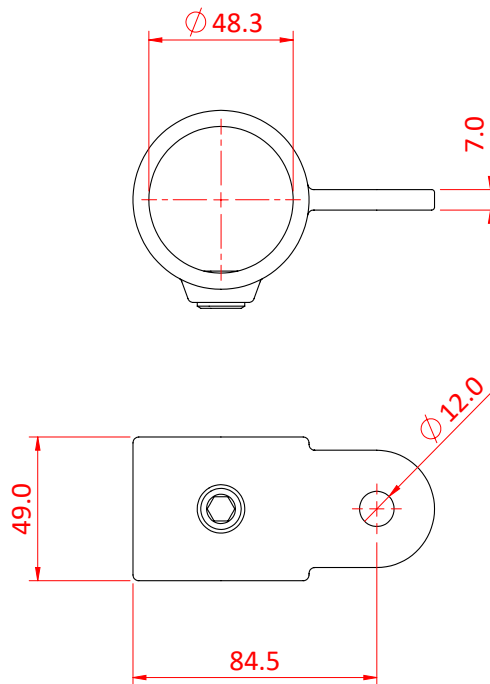


Pipeclamp Swivel Male Section

Product Data Sheet



A galvanised steel Pipe Clamp fitting.	
Part Nos	T17300M - Galvanised
Tube Diameter	Ø48.3mm
Materials	Malleable Iron Fixings - Grade 8.8 BZP
Max Tightening Torque	40Nm
WLL	N/A
Weight	0.50Kg



DIMENSIONS ARE A GUIDE ONLY AND MAY VARY

Doughty Engineering Ltd - Crow Arch Lane, Ringwood, Hampshire, BH24 1NZ, UK
+44 (0) 1425 478961, sales@doughty-engineering.co.uk - www.doughty-engineering.co.uk