

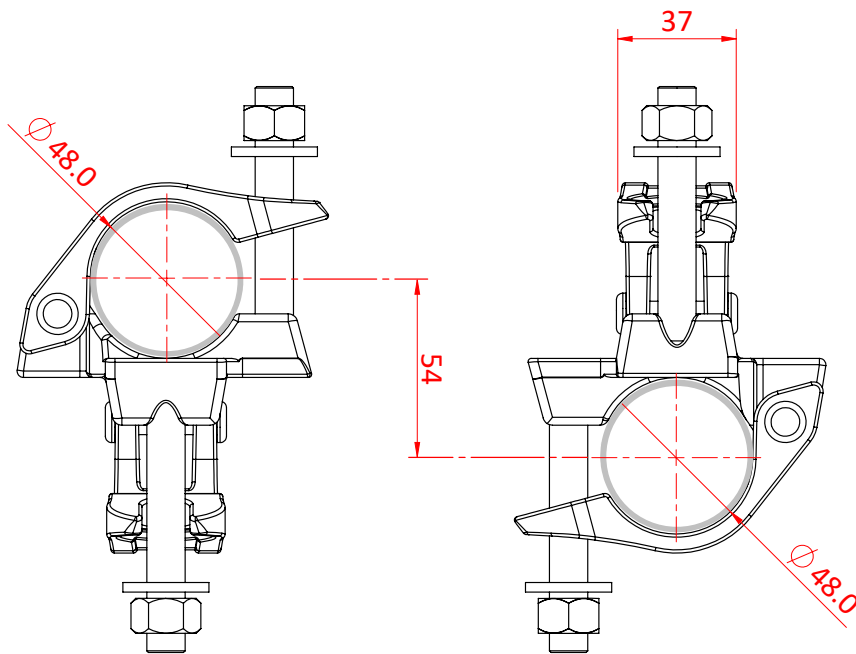


# Forged Double Coupler

## Product Data Sheet



A drop forged double coupler	
<b>Part Nos</b>	T24901
<b>Tube Diameter</b>	Ø48.3mm
<b>Finish</b>	Galvanised
<b>Max Tightening Torque</b>	50Nm
<b>Weight</b>	1.12Kg
<b>WLL</b>	This coupler is NOT Load Rated



DIMENSIONS ARE A GUIDE ONLY AND MAY VARY

Doughty Engineering Ltd - Crow Arch Lane, Ringwood, Hampshire, BH24 1NZ, UK  
+44 (0) 1425 478961, sales@doughty-engineering.co.uk - www.doughty-engineering.co.uk