

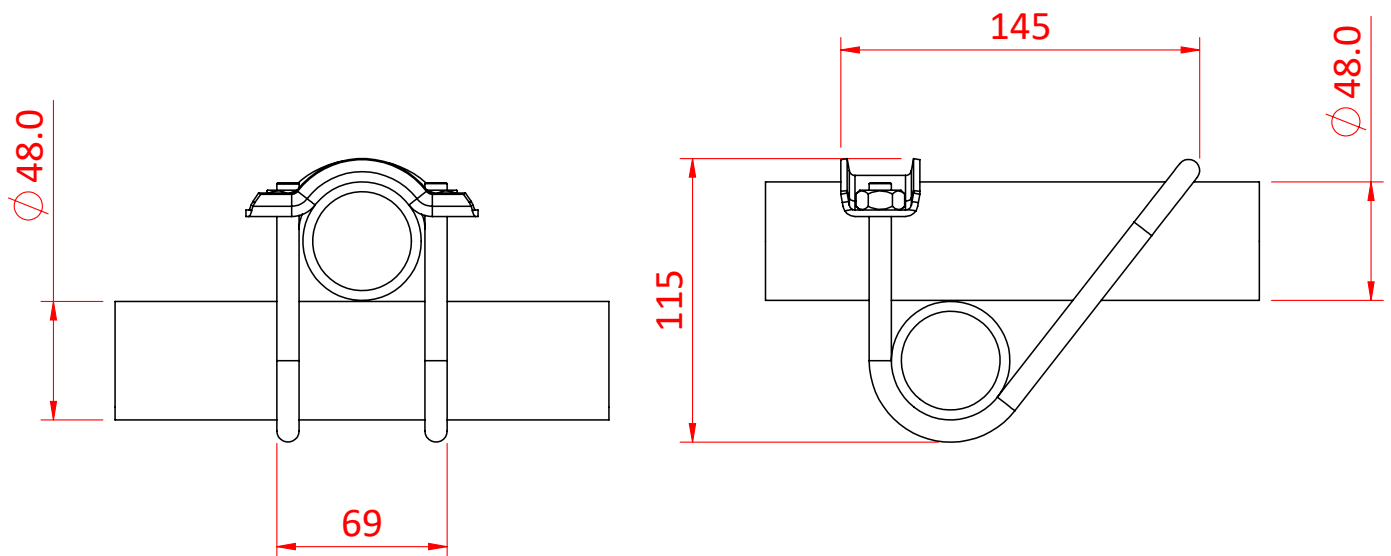


# Tube Clip Crossover Joint

Product Data Sheet



A galvanised steel cross over joint.	
Part Nos	T25150
Tube Diameter	Ø48mm
Finish	Galvanised
Max Tightening Torque	30Nm
Weight	0.37Kg
WLL	This item is NOT Load Rated



**DIMENSIONS ARE A GUIDE ONLY AND MAY VARY**

Doughty Engineering Ltd - Crow Arch Lane, Ringwood, Hampshire, BH24 1NZ, UK  
+44 (0) 1425 478961, sales@doughty-engineering.co.uk - www.doughty-engineering.co.uk