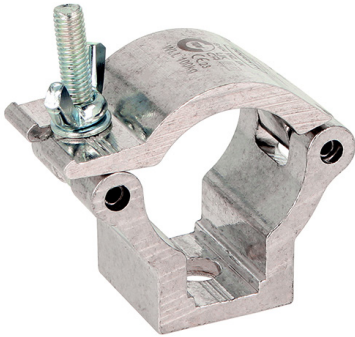




# 35mm Atom Half Coupler



## Product Data Sheet



An Atom Half Coupler	
<b>Part Nos</b>	T58900 - Silver T5890001 - Black
<b>Tube Diameter</b>	Ø35mm
<b>Materials</b>	Main Body - AW6082 T6 Aluminium Roll Pins - Stainless Steel Eyebolt Assy - Grade 8.8
<b>Max Tightening Torque</b>	Hand Tighten
<b>Fixings</b>	Ø10mm Hole
<b>WLL</b>	100Kg
<b>Weight</b>	0.09Kg
<b>Factor of Safety</b>	5:1
<b>Approval</b>	TÜV Approved

