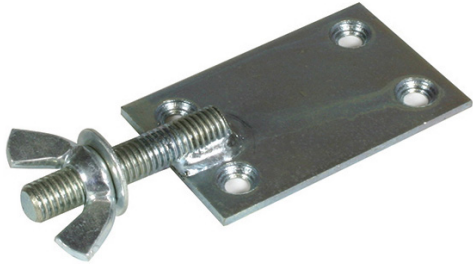




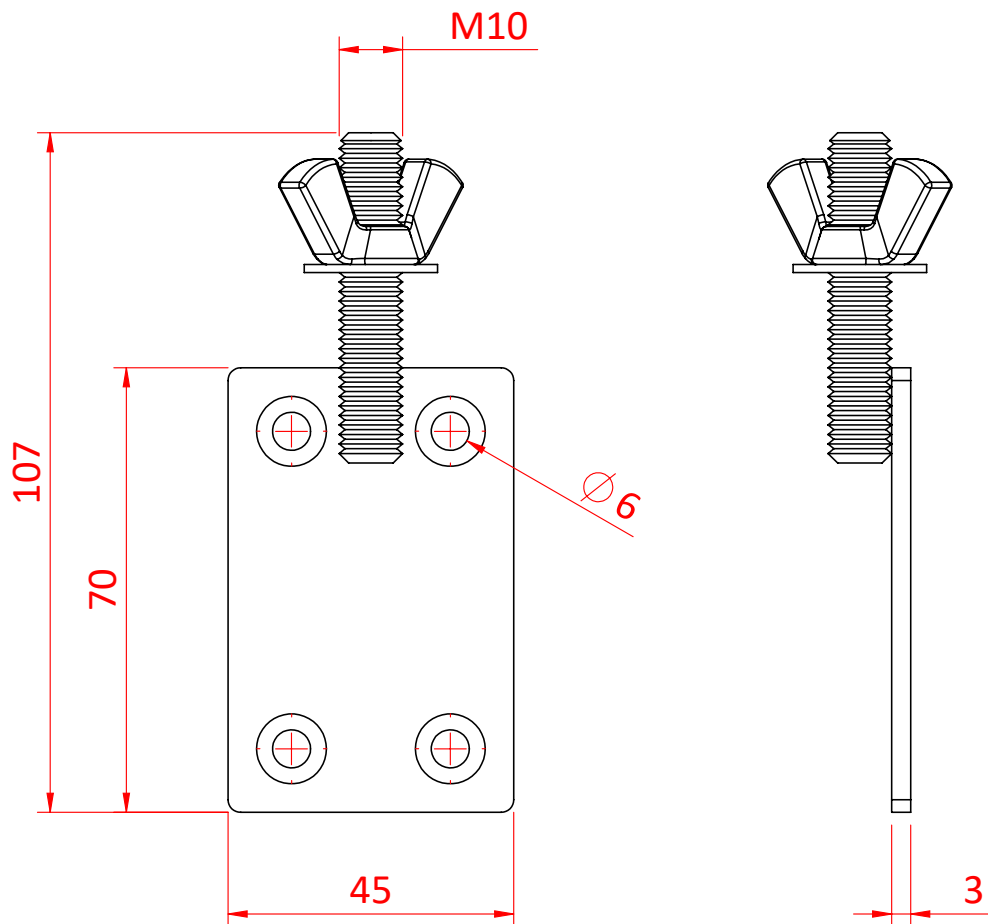
# Peg Plate

Product Data Sheet



Peg Plate	
Part Nos	T64700
Material	S275 Mild Steel
Finish	BZP
WLL	Not Rated

Dimensions in mm



DIMENSIONS ARE A GUIDE ONLY AND MAY VARY